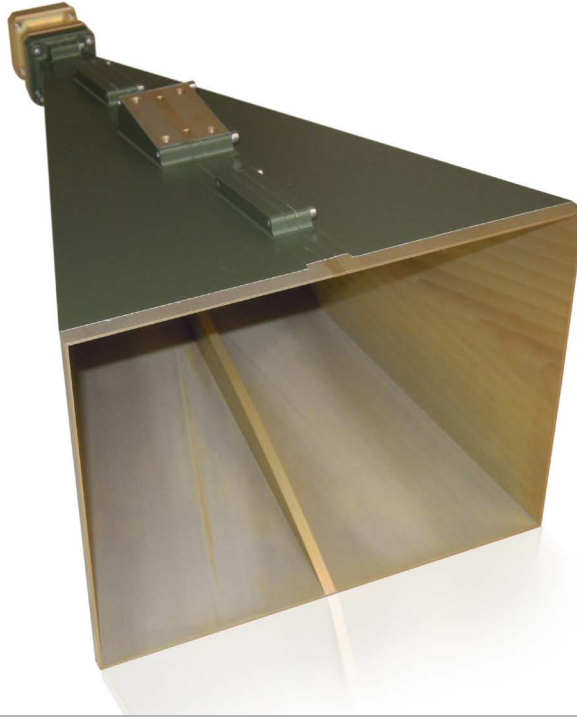


High Power Medium Gain Wideband Horns



SOLUTION FOR

- Wideband transmitter
- Direction finding applications

Main features

Technical performance

- Stable gain with frequency
- Low return loss
- Wide bandwidth
- High power up to 3 kW

Design

- Well-defined smooth radiation pattern throughout the operational bandwidth
- Unique high power coax-to-waveguide transition

Surface treatment

- Surtec 650 according to MIL-C 5541E class 3
- Polyurethane paint

Repeatability

- Stiff and robust mechanical design
- Precision machined
- Precision high power coaxial connector

Delivered documents

- Typical performance data (TYMEDA™)
- Measured return loss data
- Instructions manual

Product configuration

Equipment

- Mounting flange

Related services

- Calibration and maintenance
- Customization

■ Included □ Optional

Electrical characteristics

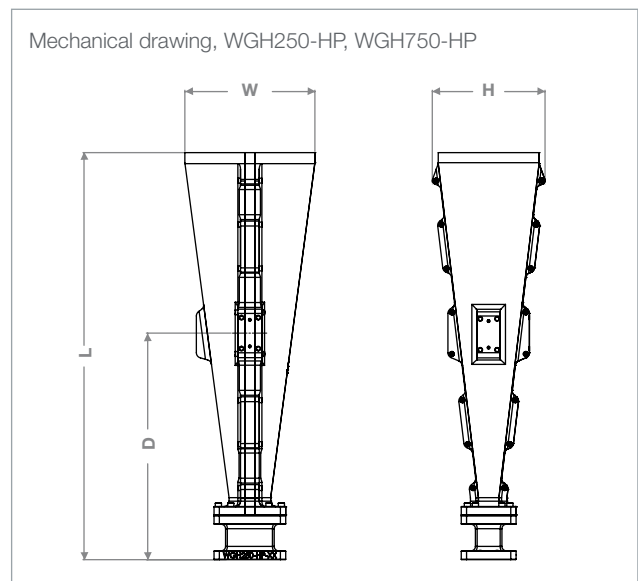
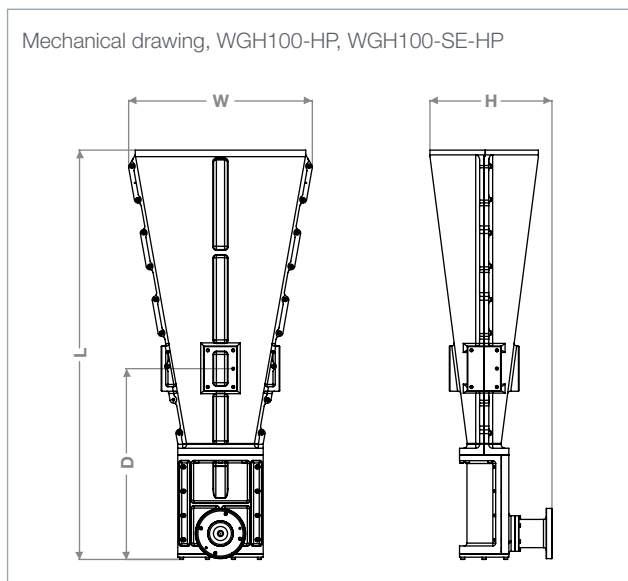
Part number	WGH100-HP	WGH100-SE-HP	WGH250-HP	WGH750-HP
Frequency range	1 – 2.5 GHz	1 – 2.5 GHz	2.5 – 7.5 GHz	7.5 – 18 GHz
Polarization	Single linear	Single linear	Single linear	Single linear
Gain	8 – 15 dBi	8 – 15 dBi	8 – 15 dBi	8 – 15 dBi
Half-power beamwidth				
E-plane	60 – 30°	90 – 64°	55 – 18°	> 12°
H-plane	80 – 30°	34 – 13°	55 – 18°	> 12°
VSWR	< 1.9	< 1.9	< 1.5	< 1.12
Return loss	< -10 dB	< -10 dB	< -15 dB	< -25 dB
Power handling (CW)	3 kW ⁽¹⁾	3 kW ⁽¹⁾	3 kW ⁽¹⁾	3 kW ⁽¹⁾

(1) 40°C, matched load, sea level

Mechanical characteristics

Part number	WGH100-HP	WGH100-SE-HP	WGH250-HP	WGH750-HP
Dimensions [mm]				
H	228	205	147	184
W	310	587	114	148
L	721	780	460	352
D	153	210	206	170
Weight (approx.)	6.5 Kg	9 Kg	1.7 Kg	1.2 Kg
Material	Aluminum	Aluminum	Aluminum	Aluminum
Treatment	Surtec 650 ⁽¹⁾	Surtec 650 ⁽¹⁾	Surtec 650 ⁽¹⁾	Surtec 650 ⁽¹⁾
Color	Blue (RAL 5005) Army green (RAL 6003)	Blue (RAL 5005) Army green (RAL 6003)	Blue (RAL 5005) Army green (RAL 6003)	Blue (RAL 5005) Army green (RAL 6003)
Input interface	EIA 1-5/8" Female	EIA 1-5/8" Female	WRD250 waveguide flange	WRD750 waveguide flange (MIL-F-39000/3-080)
Mounting interface	Fixture plate for horizontal or vertical mounting	Fixture plate for horizontal or vertical mounting	Fixture plate for horizontal or vertical mounting	Fixture plate for horizontal or vertical mounting
Vibration and shock resistance	Compliant to MIL-STD-810C (514.2 and 512.6)	Compliant to MIL-STD-810C (514.2 and 512.6)	Compliant to MIL-STD-810C (514.2 and 512.6)	Compliant to MIL-STD-810C (514.2 and 512.6)
Operation temperature	0° C – 45° C	0° C – 45° C	0° C – 45° C	0° C – 45° C
Storage temperature	0° C – 60° C	0° C – 60° C	0° C – 60° C	0° C – 60° C

(1) According to MIL-C5541E class 3





Contact your local sales representative for more information

www.mvg-world.com/antennas

salesteam@mvg-world.com