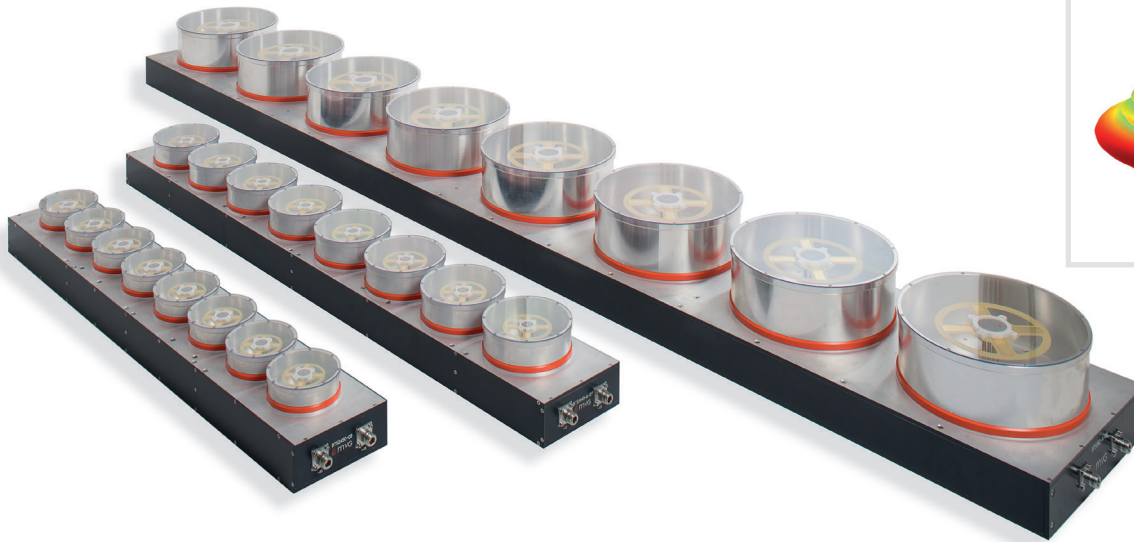
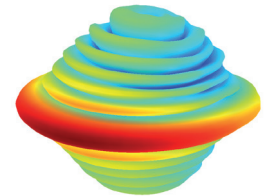


Linear Array Reference Antennas



Typical 3D radiation pattern



SOLUTION FOR

- Gain reference for base station antennas and cylindrical near-field systems

Main features

Technical performance

- Dual slant $+45^\circ/-45^\circ$ or H/V polarization
- Low cross polarization

Design

- Lightweight for easy handling
- Reduced inter-element coupling
- Adjustable interface for easy mounting

Surface treatment

- Surtec 650 according to MIL-C 5541E class 3
- Polyurethane paint

Repeatability

- Stiff and robust mechanical design
- Precision machined
- High reliability coaxial connectors
- Precision pole mounting brackets

Delivered documents

- Typical performance data (TYMEDA™)
- Measured return loss data and port-to-port coupling

Product configuration

Equipment

- Brackets for pole mounting

Related services

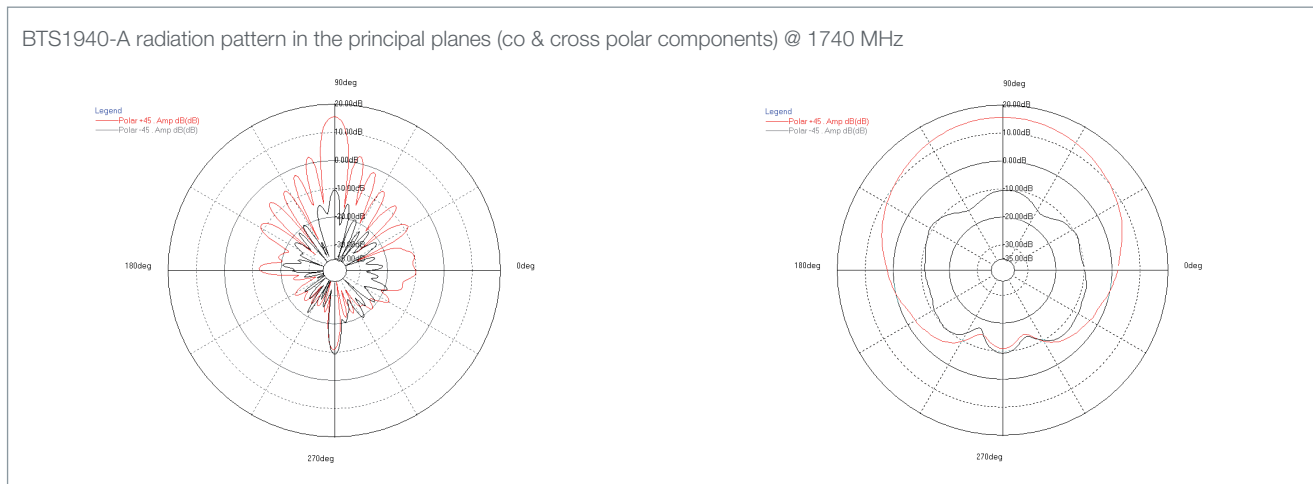
- Calibration and maintenance
- Customization

■ Included □ Optional

Electrical characteristics

Part number	BTS892-A	BTS1940-A	BTS2450
Type of antenna	Linear array	Linear array	Linear array
Frequency range	824 – 960 MHz	1710 – 2170 MHz	2170 – 2690 MHz
Polarization	Dual slant +45°/-45° ⁽¹⁾	Dual slant +45°/-45° ⁽¹⁾	Dual slant -45°/+45° ⁽¹⁾
Gain	> 15 dBi	> 15 dBi	> 15 dBi
Efficiency	> -2 dB	> -2.5 dB	> -2.5 dB
VSWR	< 1.5	< 1.5	< 1.5
Return loss	< -10 dB	< -10 dB	< -10 dB
Cross polar discrimination	> 25 dB	> 25 dB	> 25 dB
Impedance	50 Ohms	50 Ohms	50 Ohms

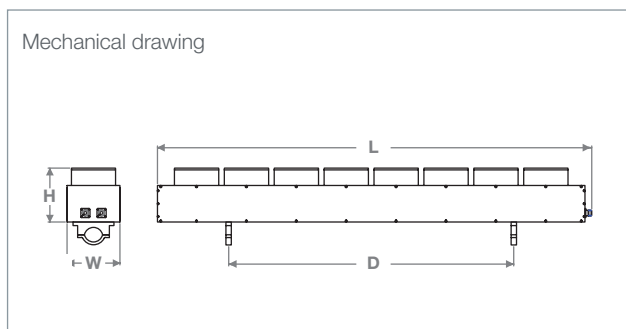
(1) Dual linear H/V available upon request



Mechanical characteristics

Part number	BTS892-A	BTS1940-A	BTS2450
Dimensions			
H	165.5 mm	111 mm	99 mm
W	300 mm	152 mm	149 mm
L	2312.9 mm	1218.9 mm	928.9 mm
D	1144 mm	840.1 mm	420 mm
Weight (approx.)	25 Kg	8 Kg	8 Kg
RF connectors	N type Female ⁽¹⁾	N type Female ⁽¹⁾	N type Female ⁽¹⁾
Interface	Brackets for pole mounting Ø 40-150 mm	Brackets for pole mounting Ø 40-120 mm	Brackets for pole mounting Ø 40-120 mm

(1) Coaxicom 3081-9



Contact your local sales representative for more information
www.mvg-world.com/antennas
salesteam@mvg-world.com