



AEP BROADBAND SERIES

Pyramidal Absorbers



SOLUTION FOR

- All Types of Anechoic Chambers
- Test Boxes, Fixtures, Outdoor Ranges
- Standards:
 - NRL 8093 – 1, 2, 3
 - ISO 11925-2
 - DIN 4102-B2

MAIN FEATURES

- Excellent RF Absorption
- True Broadband Frequency Performance

PRODUCT CONFIGURATION

Shape

- Conventional pyramid: AEP-04 - AEP-24 & AEP-60 - AEP-96
- Hollow Pyramid: AEP-36H & AEP-48H
 - Total weight is reduced by 30%
 - Enhanced performances at lower frequencies

Frequency band

- From 30 MHz to 40 GHz

Standard base size

- 2' x 2' (60.96 cm x 60.96 cm)

Height

- 4" to 96" (10.2 cm to 243.8 cm)

Operating conditions

- Temperature: 70°F +/-5° (21°C +/-3°)
- Relative Humidity: 50% RH +/- 10%

Indoor/outdoor

- Indoor

+ Description

Broadband pyramidal absorber is manufactured in two basic geometries, depending on size and performance requirements:

- Conventional right pyramid
- Hollow Pyramid

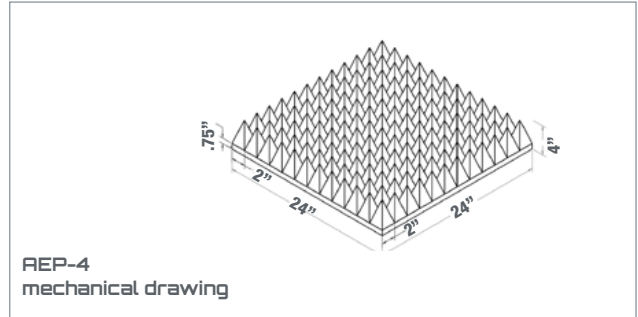
The AEP-04 to AEP-24 & AEP-60 - AEP-72 absorbers are a conventional pyramid with a square base of uniform thickness, tapered to a point.

AEP-36H & AEP-48H are available in Hollow version only

- Total weight is reduced by 30%
- Enhanced performances at lower frequencies



Increase durability & lifespan by adding our rubberized coating!



ORDERING CODE

AEP-XX, where XX designates absorber height in inches for right pyramid configuration

Specifications

		AEP-4	AEP-6	AEP-8	AEP-12	AEP-18	AEP-24	AEP-36H	AEP-48H	AEP-60	AEP-72	AEP-96		
Geometry	Right/Hollow	R	R	R	R	R	R	H	H	R	R	R		
Height	in	4	6	8	12	18	24	36	48	60	72	96		
	cm	10.2	15.2	20.3	30.5	45.7	61	91.4	122	152.4	182.9	243.8		
Pyramids	per block	144	144	64	36	16	9	4	4	1	1	1		
Absorption @ Normal Incidence	@ 30 MHz	dB								8	9	12		
	@ 80 MHz	dB						10	15	18	20	22		
	@ 125 MHz	dB						15	20	25	25	30		
	@ 250 MHz	dB						25	25	35	35	37	40	
	@ 500 MHz	dB						30	32	35	40	40	42	
	@ 1.0 GHz	dB						30	35	40	40	45	45	50
	@ 3.0 GHz	30	35	40	45	45	50	50	50	50	50	50	50	
	@ 6.0 GHz	35	40	45	50	50	50	50	50	50	50	50	50	
	@ 10.0 GHz	40	45	50	50	50	50	50	50	50	50	50	50	
	@ 15.0 GHz	45	50	50	50	50	50	50	50	50	50	50	50	
@ 18.0 GHz	50	50	50	50	50	50	50	50	50	50	50	50		
@ 40.0 GHz	50	50	50	50	50	50	50	50	50	50	50	50		
Weight	lbs/pc.	2.5	3	4.5	6	9	13.5	18.5	25	30	42	60		
	kg/pc.	1.1	1.4	2	2.7	4.1	6.1	8.4	11.3	13.6	19	27.2		
Max Power Handling information		0.775 kW/m ² continuous and 1.5 kW/m ² pulsed												

