

RF Interface Unit

2U Interface Unit for RF and LO Distribution



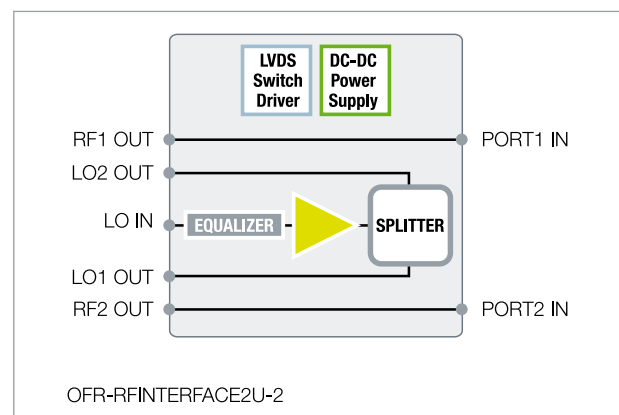
The RF Interface is a 2U (3.5") unit designed to fit in a standard 19" instrumentation rack. It is an optimal solution for providing both RF and LO signals to the mixers for different operational modes:

- Far Field
- Near Field
- Compact Range
- Hybrid – combined Near-Field and Far-Field

Main features

- Frequency range: 0.5-20 GHz
- Power handling of 0.1 W max

Functional Block Diagram



Model index for RF interface unit

PART NUMBER	FREQUENCY BAND	DESCRIPTION
OFR-RFINTERFACE2U-2	0.5-20 GHz	FF/NF/CR with splitter and amplifier for LO
OFR-RFINTERFACE2U-3	0.5-20 GHz	Hybrid systems
OFR-RFINTERFACE2U-4	0.5-20 GHz	Phase array calibration



Contact your local sales representative for more information
salesteam@mvg-world.com
www.mvg-world.com