

Small-sized 4-Port Switch Unit

Small Signal Absorptive SP4T PIN Switch

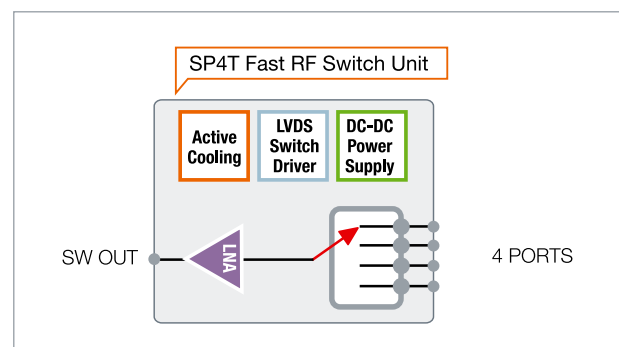


Broadband small-sized AUT PIN diode absorptive switches are designed for measurement systems where the space near the AUT is limited such as in the mini Compact Range. With exceptionally small dimensions, these units are specifically designed to fit in spaces close to the AUT. Fast switching response time allows on-the-fly RF signal measurements synchronized with the mechanical positioning system movement. These small-sized units are capable of handling power levels up to 100 mW (20 dBm) at a switching time of 50 ns (nanoseconds). This series is designed with combined remote logic controls and DC power. The RF signals are amplified with an internal broadband LNA.

Main features

- Frequency range: 0.5-40 GHz
- Miniature mechanical outline
- Switching time of 50 ns maximum
- Power handling of 0.1 W maximum
- LVDS control logic

Functional Block Diagram



Specifications

MODEL	OFR-SP4T40MINI-1
Type	SP4T absorptive PIN switch with Low Noise Amplifier, 0.5-40 GHz*
Operation Frequencies	0.5-40 GHz
Switching Time	50 ns
Unit Insertion Loss	<ul style="list-style-type: none">• 3.0 dB typical (0.5-18 GHz)• 7.5 dB typical (18-40GHz)
Power Handling	0.1 W max
Amplifier Gain	42 dB typical
Amplifier Gain Flatness	± 2.2 dB
Amplifier Noise Figure	4.5 dB typical
Switch Isolation	<ul style="list-style-type: none">• 100 dB typical (0.5-1 GHz)• 85 B typical (1-18 GHz)• 70 dB typical (18-40 GHz)
Connectors	2.92 mm (F)
Power Supply	24 V, 600 mA max

*up to 50GHz possible- consult your Sales contact

Model index for small-sized 4 port switch

PART NUMBER	FREQUENCY BAND	DESCRIPTION
OFR-SP4T40MINI-1	0.5-40 GHz	RF SP4T PIN switch 0.5-40 GHz with 42 dB LNA



Contact your local sales representative for more information
salesteam@mvg-world.com
www.mvg-world.com